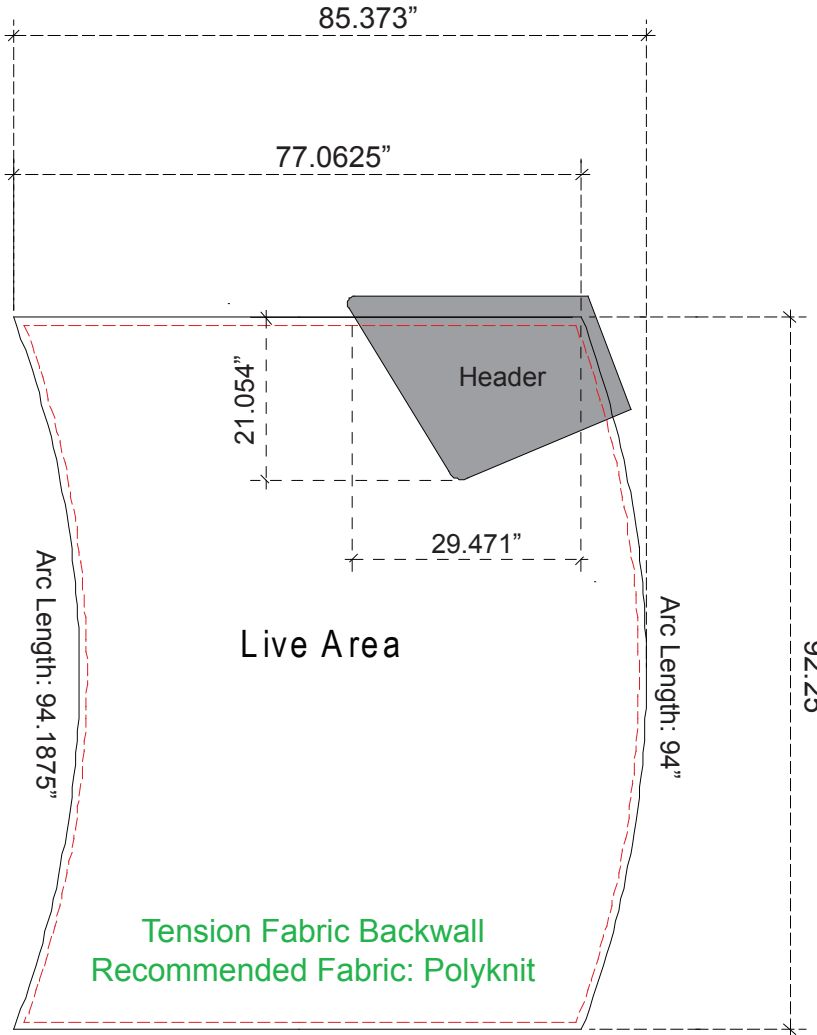


Print/Cut Size: 33.8221" w x 88.25" h

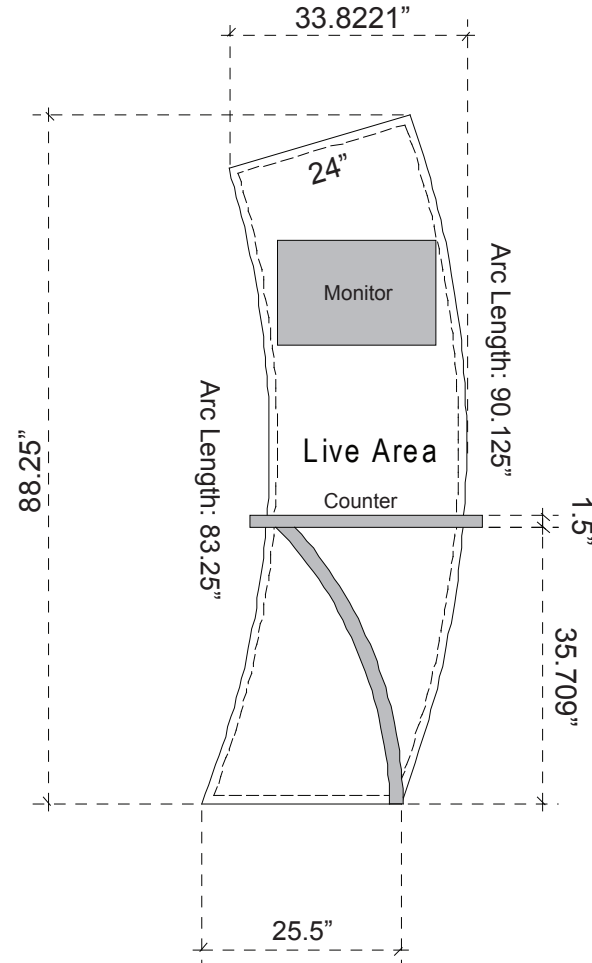
Add 1" bleed around perimeter of graphic  
Sew 1/2" Hook Velcro into front perimeter

Tension Fabric Backwall  
Recommended Fabric: Polyknit



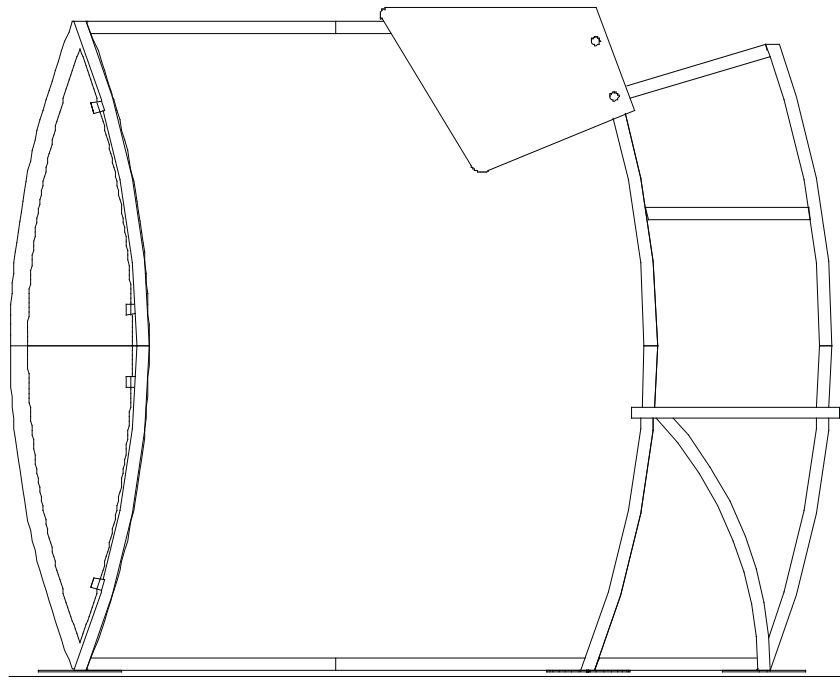
Print/Cut Size: 85.373" w x 92.25" h

Add 1" bleed around perimeter of graphic  
Sew 1/2" Hook Velcro into front perimeter



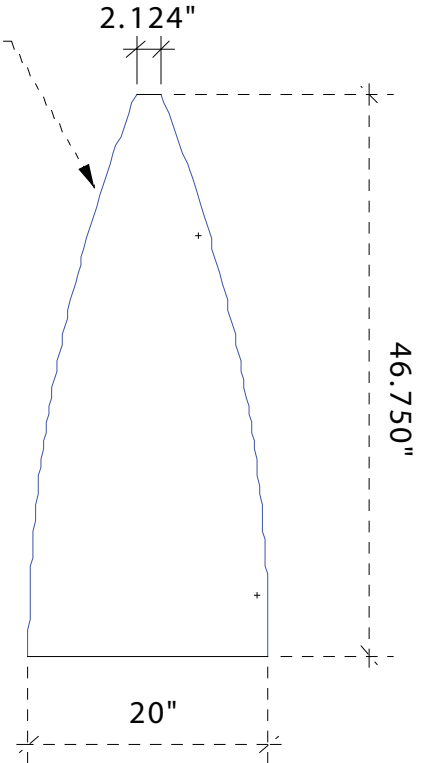
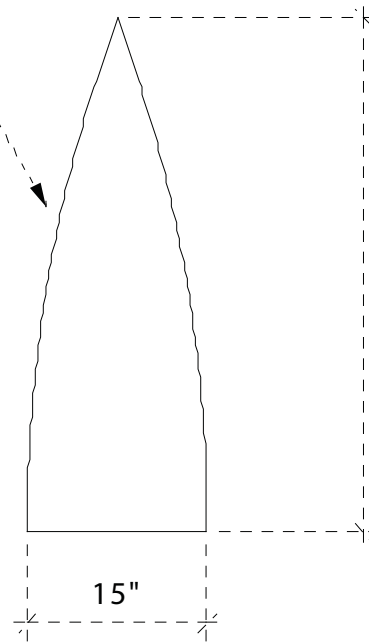
NOTE: These dimensions are for graphic layout purposes. Graphic needs to be cut and test fitted to Magellen frame for exact sizes and cuts.

NOTE: Graphic files must be @ 150 dpi Finished Size. DO NOT send Flattened Files. Production can not manipulate the content, proportion or color of these files.



Rad: 124.4418"  
Sweep: 20.174°  
Arc Len: 43.8156"

Rad: 126.7301"  
Sweep: 21.647°  
Arc Len: 47.881"

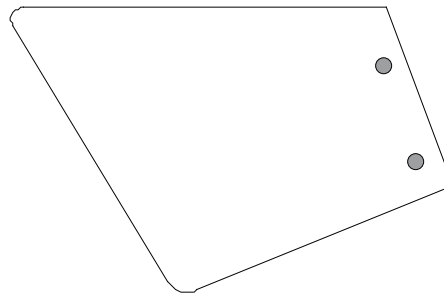
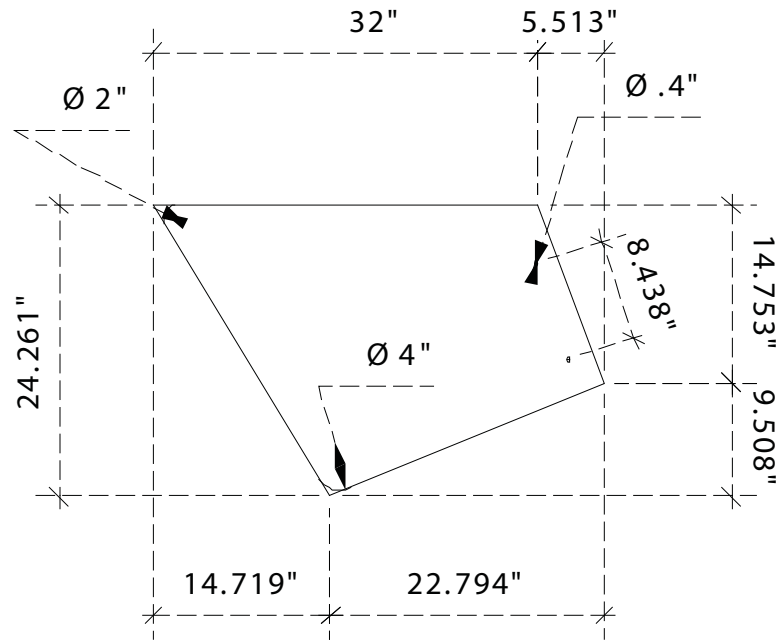


Front Wings

Back Wings

NOTE: Graphic files must be @ 150 dpi Finished Size.  
DO NOT send Flattened Files. Production can not manipulate  
the content, proportion or color of these files.

VK-1083-84: Graphic Dimensions  
Header Graphic



**NOTE: Graphic files must be @ 150 dpi Finished Size.  
DO NOT send Flattened Files. Production can not manipulate  
the content, proportion or color of these files.**